

 | imiwood

PREFINISHED DECORATIVE BATTENS



rethink
your design
environment

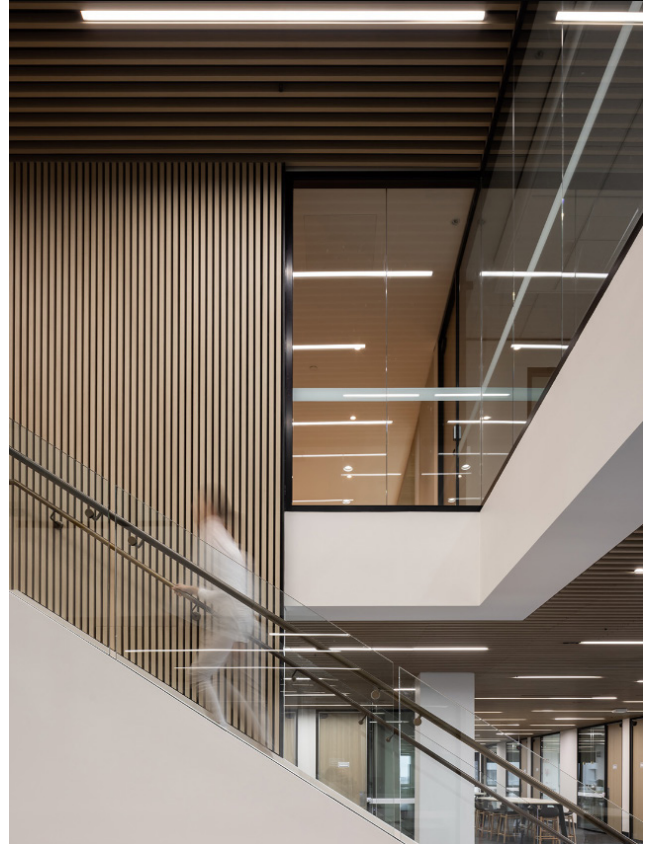


Imiwood introduces an exciting and cost-effective method of design using prefinished decorative battens. Presented in seven standard dimensions and a comprehensive range of decors Imiwood provides the authenticity and warmth of natural timber with the convenience of a ready to install decorative batten.

Our recent wall lining innovation adds a collection of tongue and groove battens that easily interlock creating eye catching 3D walls. Wall battens come in three profiles flute, dome and batten.



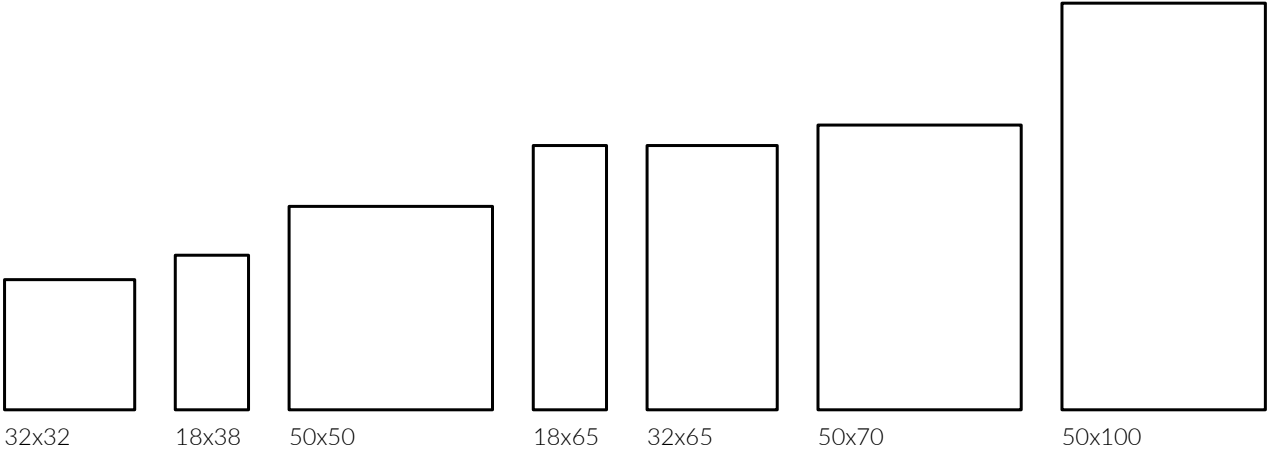
Imiwood range of decorative battens are manufactured in Australia using high quality overlays wrapped around an mdf e-zero substrate leaving only one seamless join. These overlays are pvc-free, environmentally friendly and abrasive resistant. Imiwood is the perfect timber alternative providing design continuity and a dimensionally stable product. Imiwood can be used in a variety of internal applications including feature walls, ceilings and screening.



Commercial | Healthcare | Retail | Education | Hospitality | Government

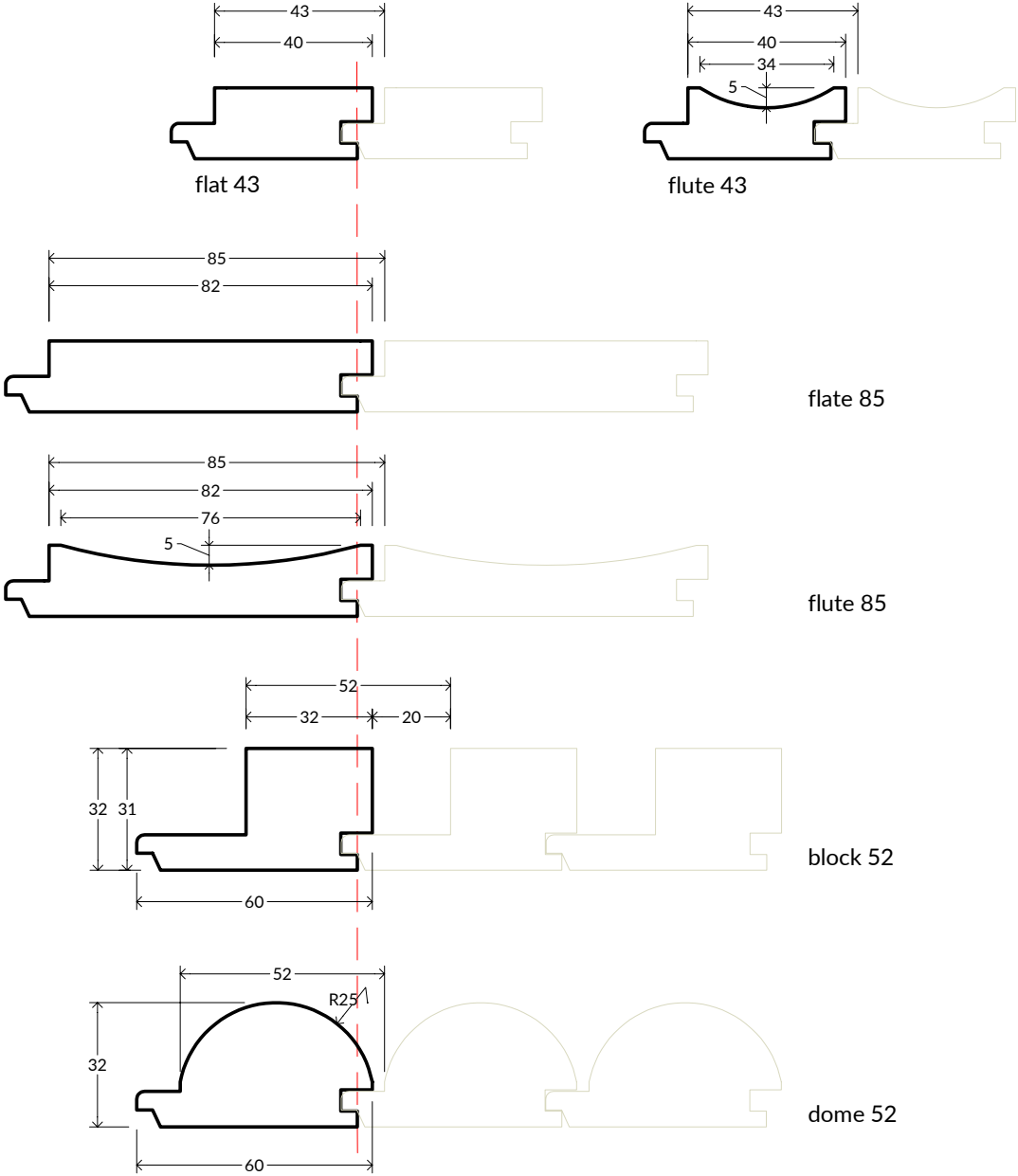


imiwood decorative battens



custom dimensions available on request

imiwood wall battens



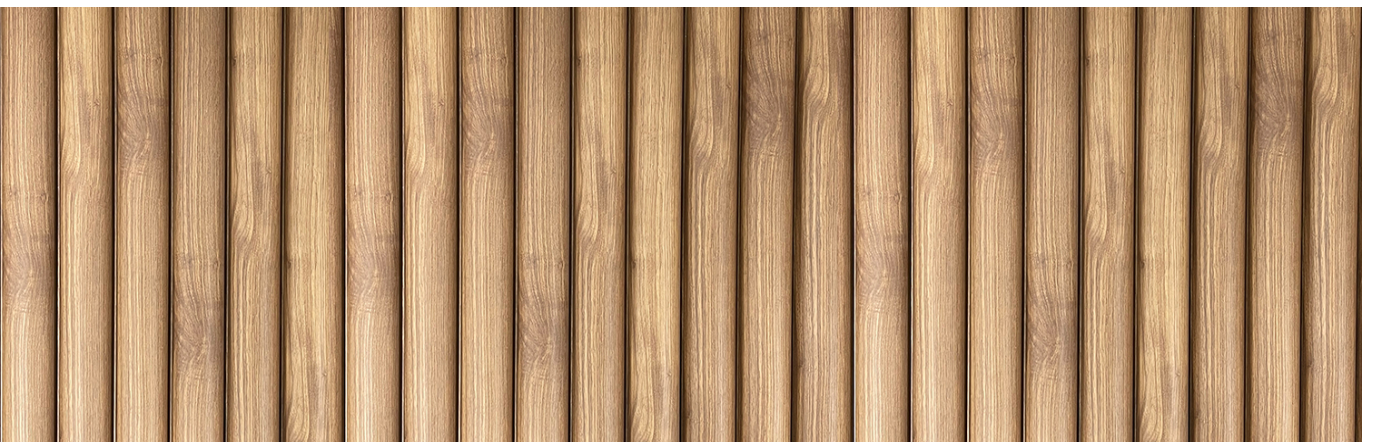
dimensions are nominal



Flute 43



Block 52



Dome 52

imiwood prefinished decorative battens

Battens	Substrate	Weight (kg/pc)
18x38x3600	MDF	1.8
18x65x3600	MDF	3.1
32x32x3600	MDF	2.7
32x65x3600	MDF	5.5
50x50x3600	LDF	3.7
50x70x3600	LDF	5.3
50x100x3600	LDF	7.4

Wall Battens

43x18x3600 Flat	MDF	1.7
43x18x3600 Flute	MDF	1.7
52x32x3600 Block	MDF	3.4
52x32x3600 Dome	MDF	3.4

custom dimensions available on request

batten weights are guide only

minimum quantities apply

imiwood prefinished laminated board

available board thicknesses

9mm	12mm	16mm	18mm	25mm	32mm
-----	------	------	------	------	------

available board sizes

MDF MR	2400 x 1200	3000 x 1200	3600 x 1200
---------------	-------------	-------------	-------------

laminated board available in Good One Side (GIS) and Good Two Sides (G2S),

GIS supplied with balanced back.

imiwood elements timberlook finishes



Tuscan Oak



Blonde Oak



Smoked Ash



Parisian Oak



Birch Ply



Autumn Ash



Natural Ash



Victorian Ash



Blackbutt



Honey Oak



Australian Grey Gum



Fennel Oak



Arabica Oak



Spotted Gum



Tasmanian Blackwood



Queensland Walnut

Finishes are for illustrative purposes only. Selections should be based on reviewing physical sample. Contact Ducani for samples 1300 374 894.

DELIVERY OPTIONS

PREFINISHED DECORATIVE BATTENS ARE AVAILABLE IN VARIOUS SUPPLY OPTIONS



Supply

Prefinished Decorative Battens can be purchased as supply only in full lengths ready to fabricate.

[Purchase through Ducani.](#)

Pick-up or national delivery.



Assembled

Prefinished Decorative Battens can be supplied fabricated and assembled ready for installation.

[Purchase through Ultraflex.](#)

Pick-up or national delivery.



Installed

In certain areas Prefinished Decorative Battens can be fully fabricated, assembled and installed by our team of qualified installers.

[Purchase through Ultraflex.](#)

WHAT WE DO

Ducani is a profile laminating solutions company. We specialise in wrapping various substrates including MDF, Aluminium and Finger Jointed Pine with decorative overlays. Combined with our sister company Ultraflex, we specialise in a comprehensive range of Architectural Linings & Joinery solutions.

Ducani

1300 374 894 | ducani.au

sales@ducani.au